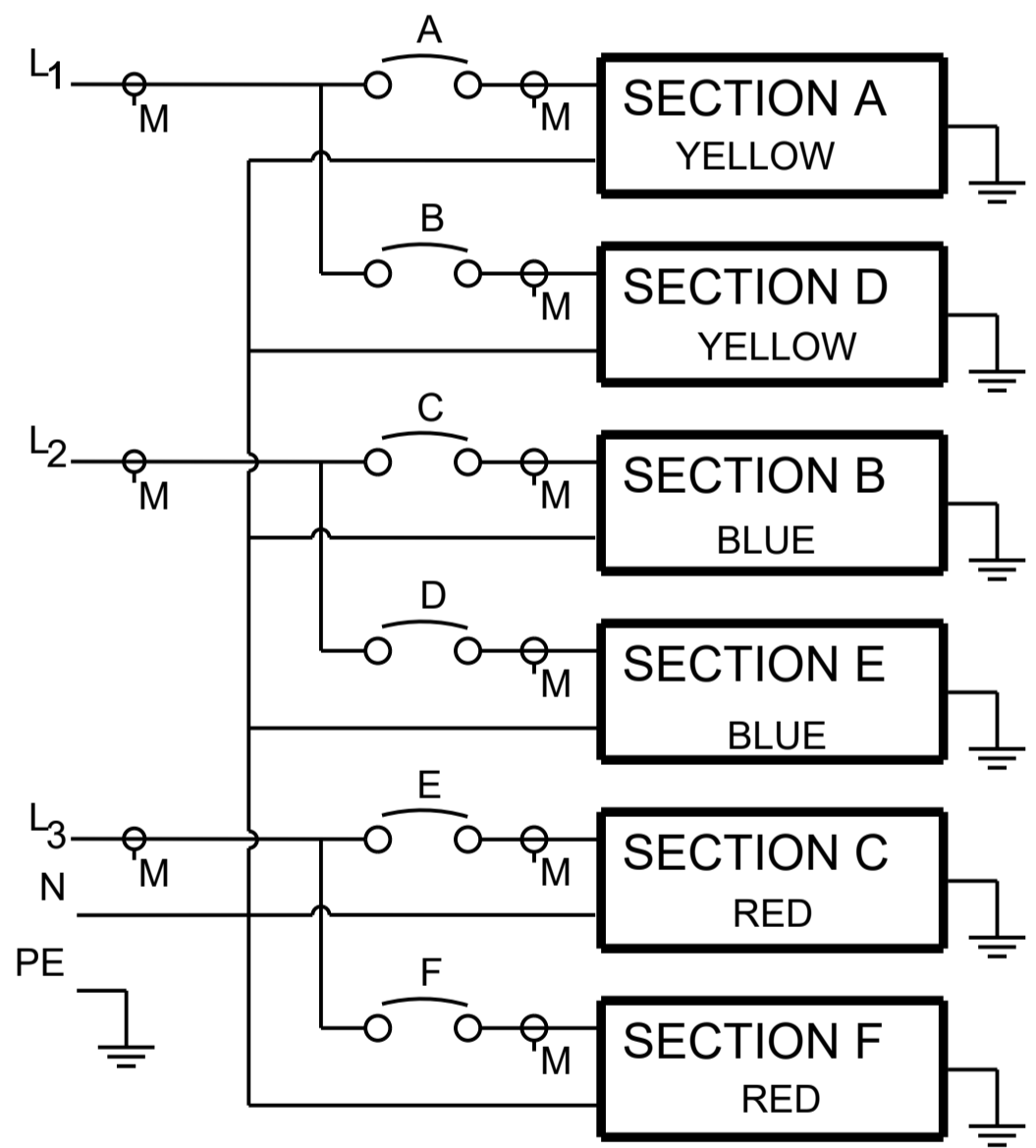


CABLE LENGTH SHOWN NOT TO SCALE

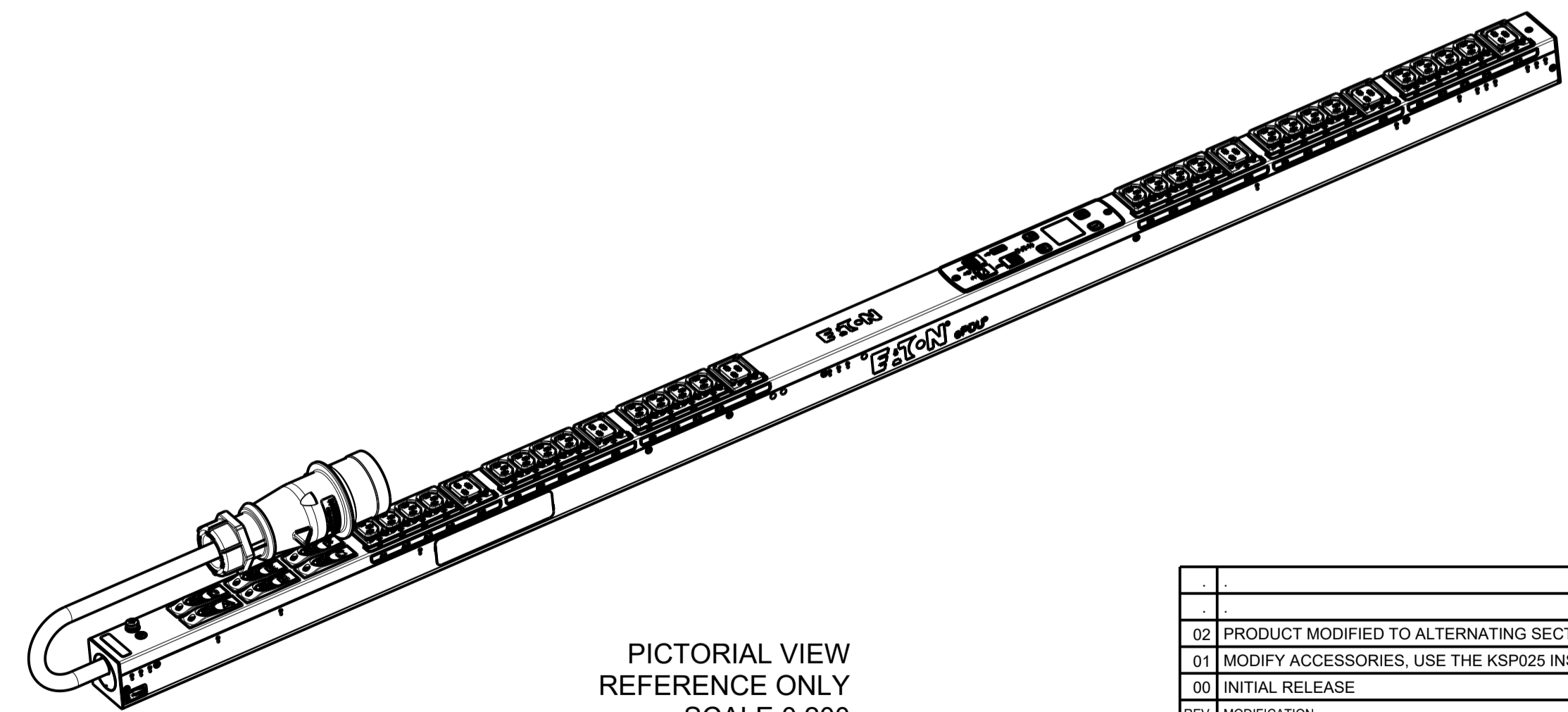


CIRCUIT SCHEMATIC



EMIB32 G3 METERED INPUT

FUNCTIONALITY	INPUT	OUTPUT	ENVIRONMENTAL
CURRENT POWER AND ENERGY METERING FOR INPUT AND BRANCH	IEC 60309-2 32A 400V~ WYE, 3W+N+PE 4.0MM HO7 POWER CORD CABLE LENGTH: 3.0M	(24) IEC 60320 C13 GRIP (6) IEC 60320 C19 GRIP ALTERNATING SECTIONS	0 TO 60 ° C
MECHANICAL	INPUT RATING	OUTPUT RATING	CERTIFICATIONS
LENGTH: 1604MM WIDTH: 52 MM DEPTH: 53MM ALUMINIUM CHASSIS, BLACK MNT PATTERN SK-23919-Y1	3Ø;346-415V~; WYE, 3W+N+PE 50/60HZ 32A	200-240V~;50/60HZ 10A PER C13;16A PER C19 16A MAX PER SECTION 32A MAX TOTAL	CE, CB
CIRCUIT BREAKERS	FILTER AND SPIKE/SURGE	ACCESSORIES	CONFIGURATION
(6) 16A 1-POLE	NONE	STANDARD KSP025 - EPDU G3 EMEA VERT INSTALL NETWORK PACK KA35 OPTIONAL EMP001 - ENVIRONMENTAL PROBE	EMI3DH8FBJR77AM



02	PRODUCT MODIFIED TO ALTERNATING SECTIONS	01.03.2019	AEK	MB
01	MODIFY ACCESSORIES, USE THE KSP025 INSTEAD OF KSP015	03.04.2017	RA	MB
00	INITIAL RELEASE	18.08.2014	CW	MB
REV	MODIFICATION	DATE	DESIGNER	VERIF
		HEINEMANN PRODUCTS		VUE/VIEW EUROPE: 6/20
		CH-1345 LE LIEU SWITZERLAND		DESSINE LE / DRAWN THE 18.08.2014
				PAR / BY CW
				VERIFIE PAR / VERIFIED BY MB
NIVEAU DU CERTIFICAT DE SOUMISSION REQUIS / SAMPLES APPROVAL PROCESS REPORT X DIMENSIONS AND TOLERANCES IN MILLIMETERS				
DESIGNATION		EPDU MI 0U (3Ø 32A 3P)24XC13:6XC19		sk-40019-y1
COTES A CONTROLER / INSPECTION DIMENSIONS		COTES FONCTIONNELLES / FUNCTIONAL DIMENSIONS # XX.XX		NUMERO DU PLAN / PLAN NUMBER 02
Ce document est propriété de Eaton Industries Manufacturing GmbH. Duplication interdite sans autorisation. This document is Eaton Industries Manufacturing GmbH property. Duplication forbidden without authorization.				