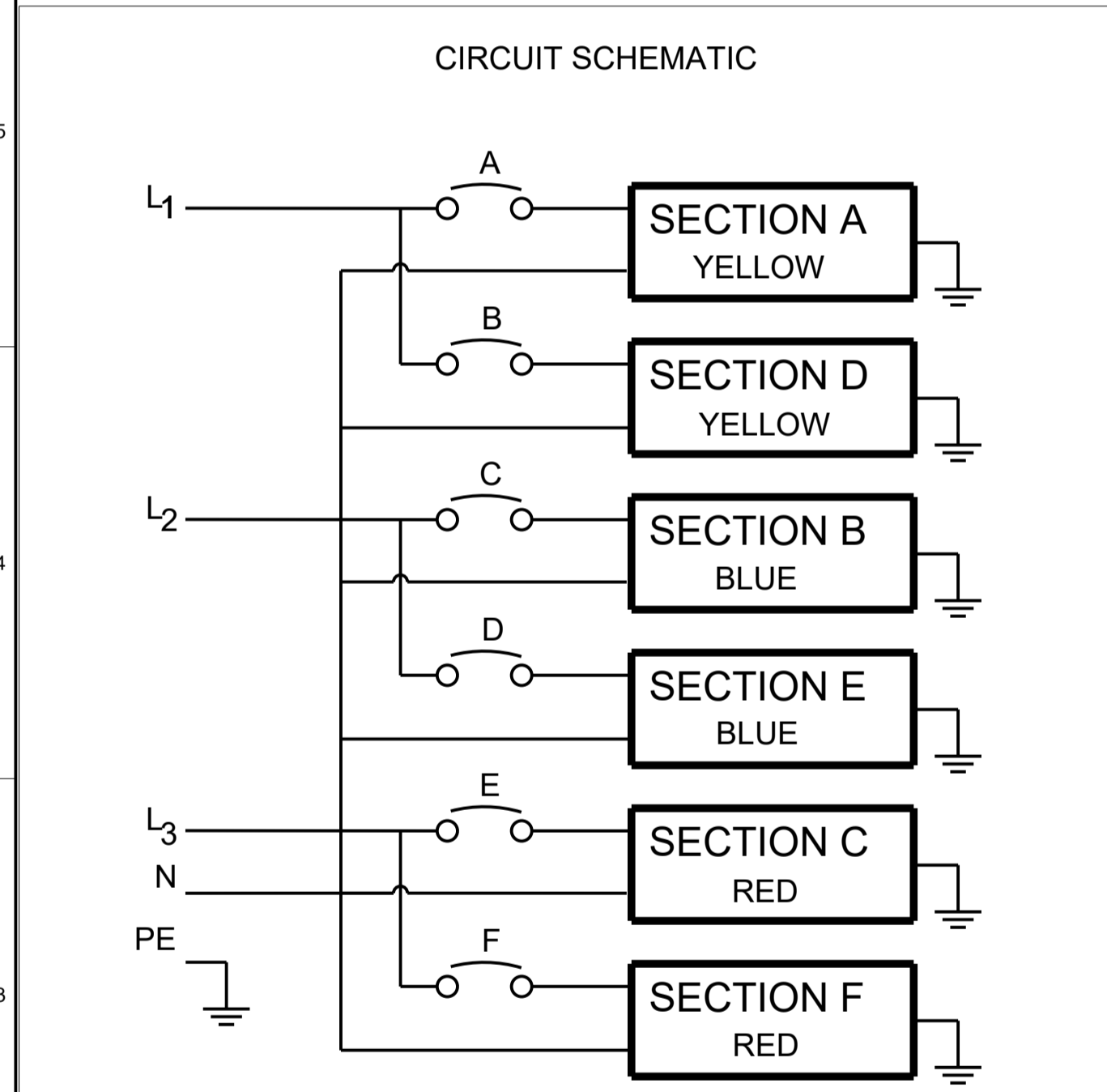
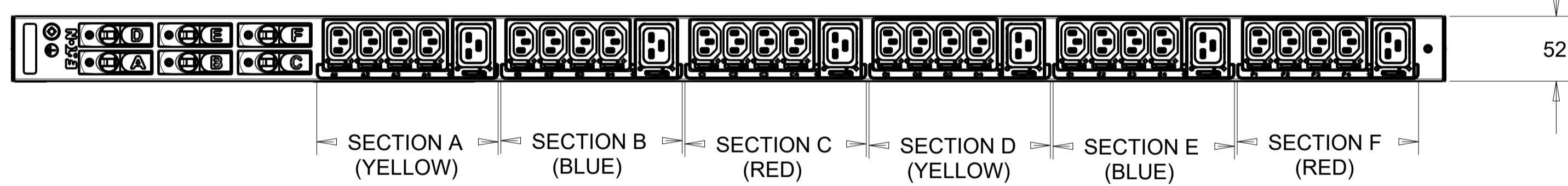
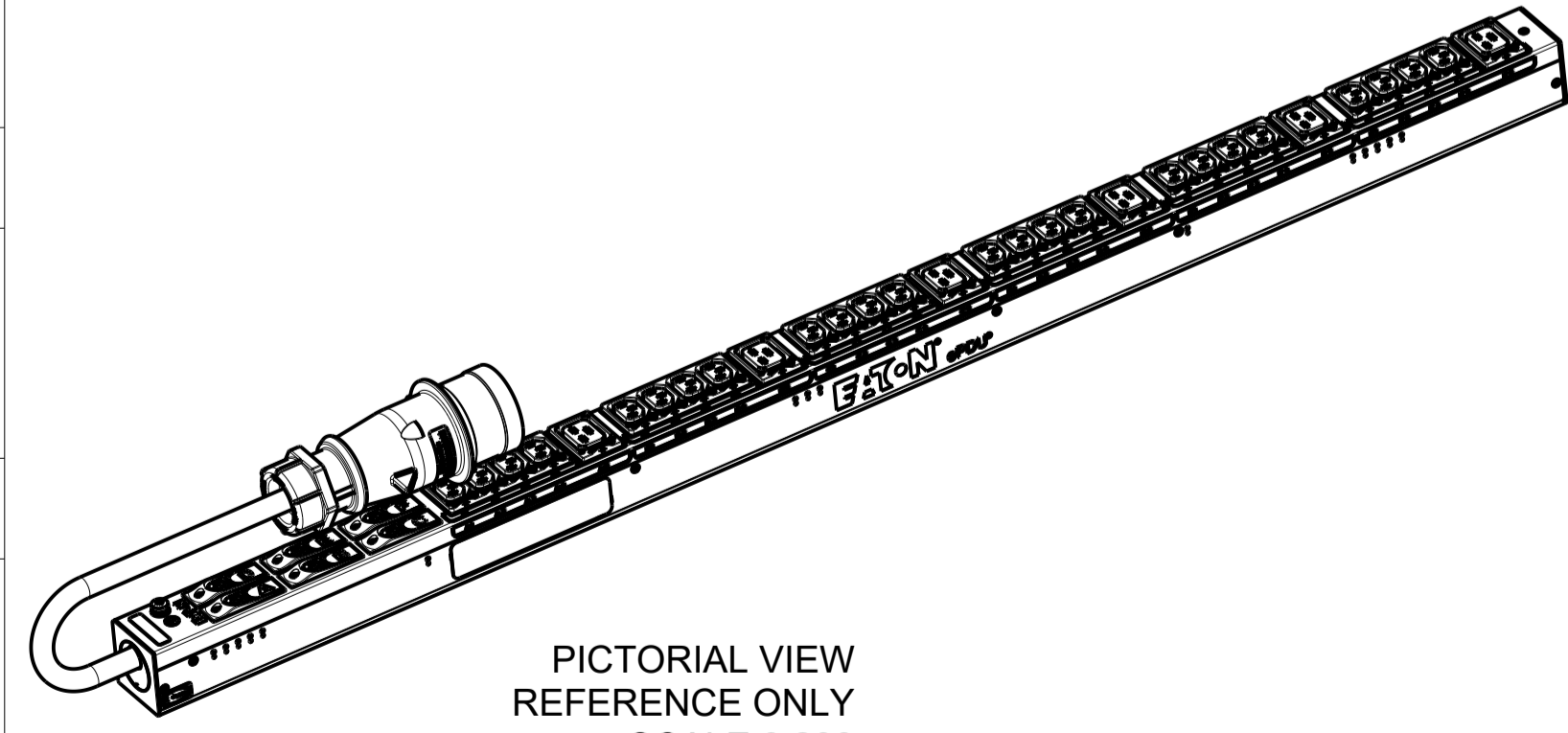


CABLE LENGTH SHOWN NOT TO SCALE



EBAB32		G3 BASIC	
FUNCTIONALITY	INPUT	OUTPUT	ENVIRONMENTAL
NONE	IEC 60309-2 32A 400V~ WYE, 3W+N+PE 4.0MM HO7 POWER CORD CABLE LENGTH: 3.0M	(24) IEC 60320 C13 GRIP (6) IEC 60320 C19 GRIP ALTERNATING SECTIONS	0 TO 60 °C
MECHANICAL	INPUT RATING	OUTPUT RATING	CERTIFICATIONS
LENGTH: 1154MM WIDTH: 52 MM DEPTH: 53MM ALUMINIUM CHASSIS, BLACK MNT PATTERN SK-23919-Y1	3Ø;346-415V~; WYE, 3W+N+PE 50/60HZ 32A	200-240V~;50/60HZ 10A PER C13;16A PER C19 16A MAX PER SECTION 32A MAX TOTAL	CE, CB
CIRCUIT BREAKERS	FILTER AND SPIKE/SURGE	ACCESSORIES	CONFIGURATION
(6) 16A 1-POLE	NONE	STANDARD KSP026 - EPDU G3 EMEA VERT INSTALL PACK KA35	EBA3DH8FBJR76AM



PICTORIAL VIEW  
REFERENCE ONLY  
SCALE 0.200

01 PRODUCT MODIFIED TO ALTERNATING SECTIONS		22.04.2019	AEK	MB
00 INITIAL RELEASE		27.04.2017	RA	MB
REV. MODIFICATION		DATE	DESIGNER	VERIF.
<b>EATON</b>		HEINEMANN PRODUCTS		VUE/VIEW EUROPE: 3/10
CH-1345 LE LIEU SWITZERLAND		DESIGNER / DRAWN THE		27.04.2017
TRAITEMENT / FINISH NA		PAR / BY		RA
MATIERE / MATERIAL NA		VERIFIE PAR / VERIFIED BY		MB
NIVEAU DU CERTIFICAT DE SOUMISSION REQUIS / SAMPLES APPROVAL PROCESS REPORT X		DIMENSIONS AND TOLERANCES IN MILLIMETERS		
DESIGNATION EPDU BA 0U (309 32A 3P)24XC13.6XC19		SK-106519-Y1		01
COTES A CONTROLER / INSPECTION DIMENSIONS XX.XX		COTES FONCTIONNELLES / FUNCTIONAL DIMENSIONS # XX.XX		NUMERO DU PLAN / PLAN NUMBER
Ce document est propriété de Eaton Industries Manufacturing GmbH. Duplication interdite sans autorisation. This document is Eaton Industries Manufacturing GmbH property. Duplication forbidden without authorization.				