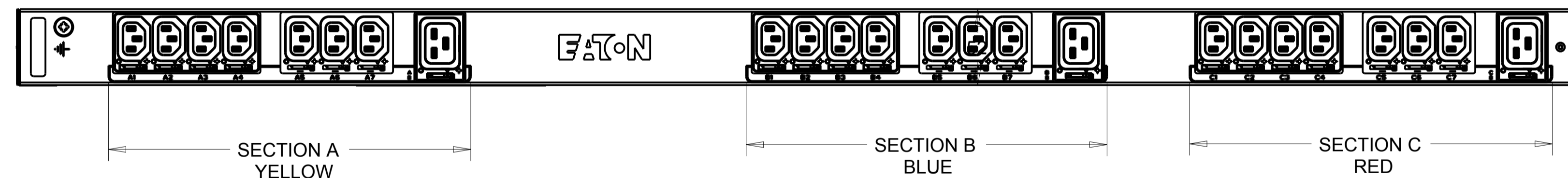
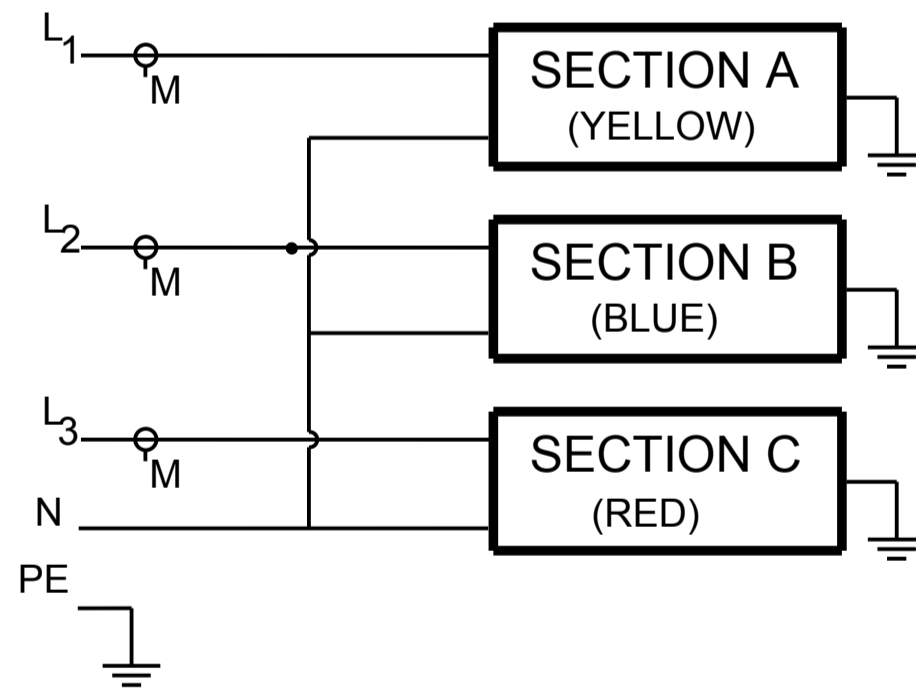


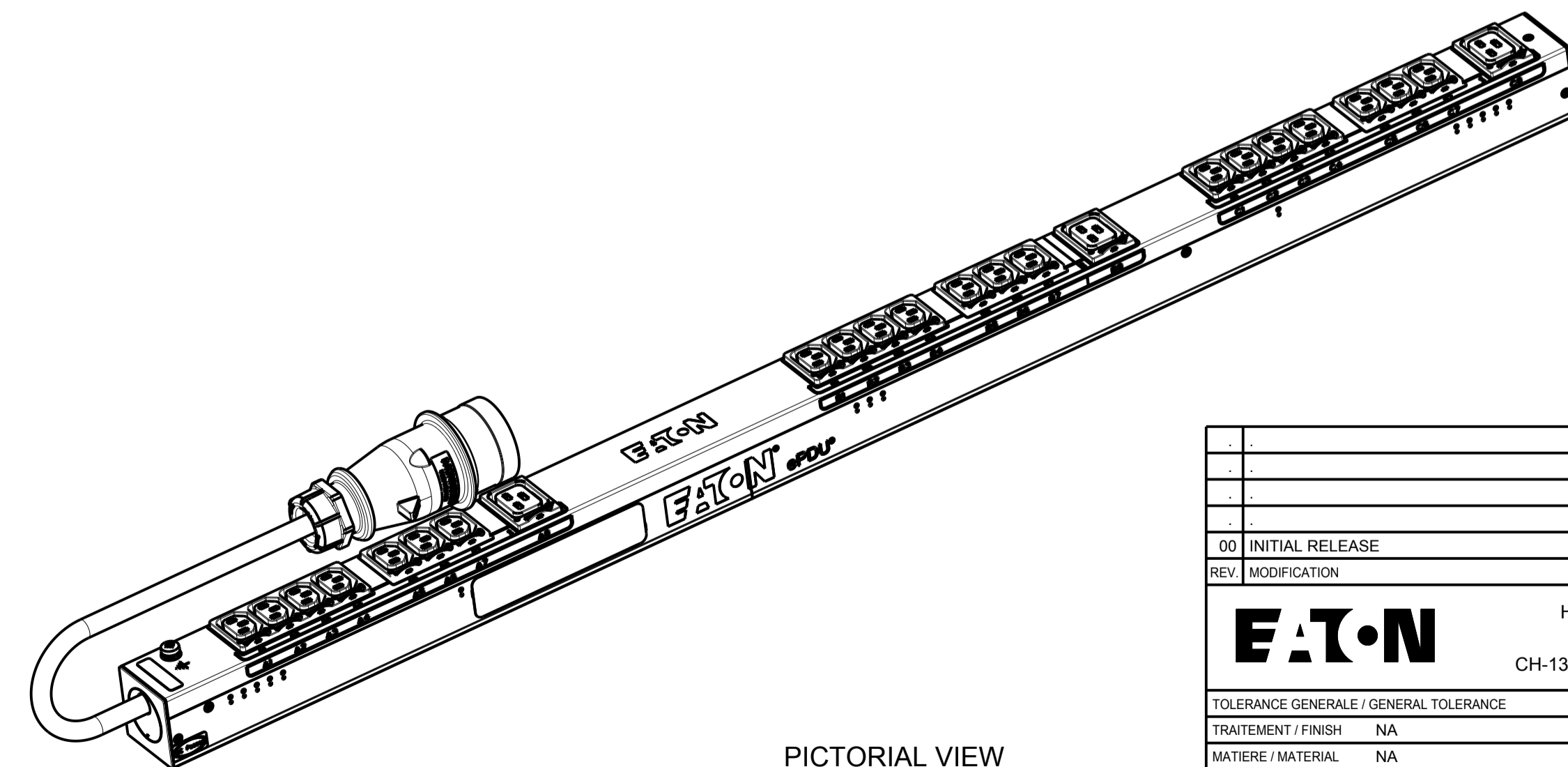
CABLE LENGTH SHOWN NOT TO SCALE

CIRCUIT SCHEMATIC



**EBAB20 G3 BASIC**

FUNCTIONALITY	INPUT	OUTPUT	ENVIRONMENTAL
NONE	IEC 60309-2 16A 230/400V 3P+N+E 1.5MM HO7 POWER CORD CABLE LENGTH: 3.0M	(21) IEC 60320 C13 GRIP (3) IEC 60320 C19 GRIP	0 TO 60 °C
MECHANICAL	INPUT RATING	OUTPUT RATING	CERTIFICATIONS
LENGTH: 1070MM WIDTH: 52 MM DEPTH: 53MM ALUMINIUM CHASSIS, BLACK MNT PATTERN SK-23919-Y1	3Ø;346-415V~; WYE, 3W+N+PE 50/60HZ 16A	200-240V~;50/60HZ 10A PER C13;16A PER C19 16A MAX PER SECTION 16A MAX TOTAL	CE, CB
CIRCUIT BREAKERS	FILTER AND SPIKE/SURGE	ACCESSORIES	CONFIGURATION
NONE	NONE	STANDARD KSP026 - EPDU G3 EMEA VERT INSTALL PACK KA35	EBA3DA8FABJ75AM



PICTORIAL VIEW  
REFERENCE ONLY  
SCALE 0.300

00 INITIAL RELEASE		28.04.2017	VV	MB
REV	MODIFICATION	DATE	DESIGNER	VERIF.
<b>EATON</b>		HEINEMANN PRODUCTS		VUE/VIEW EUROPE: 4/10
CH-1345 LE LIEU SWITZERLAND		DESIGNEE / DRAWN THE		28.04.2017
TRAITEMENT / FINISH NA		PAR / BY		VV
MATIERE / MATERIAL NA		VERIFIE PAR / VERIFIED BY		MB
NIVEAU DU CERTIFICAT DE SOUMISSION REQUIS / SAMPLES APPROVAL PROCESS REPORT		X	DIMENSIONS AND TOLERANCES IN MILLIMETERS	
DESIGNATION	EPDU BA 0U (309 16A 3P)21XC13:3XC19	SK-105719-Y1	00	
COTES A CONTROLER INSPECTION DIMENSIONS	XX.XX	COTES FONCTIONNELLES FUNCTIONAL DIMENSIONS	# XX.XX	NUMERO DU PLAN PLAN NUMBER
Ce document est propriété de Eaton Industries Manufacturing GmbH. Duplication interdite sans autorisation. This document is Eaton Industries Manufacturing GmbH property. Duplication forbidden without authorization.				