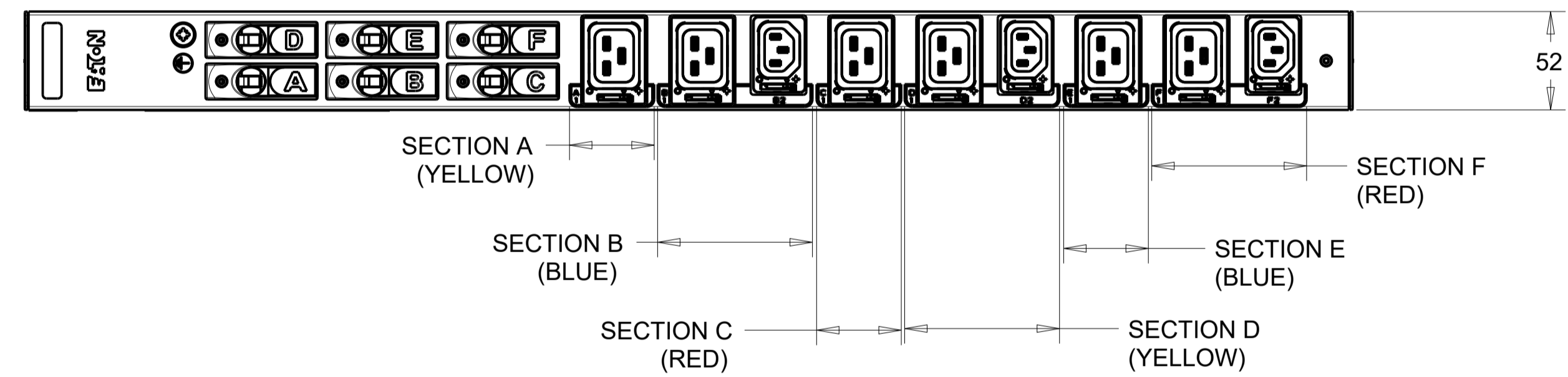
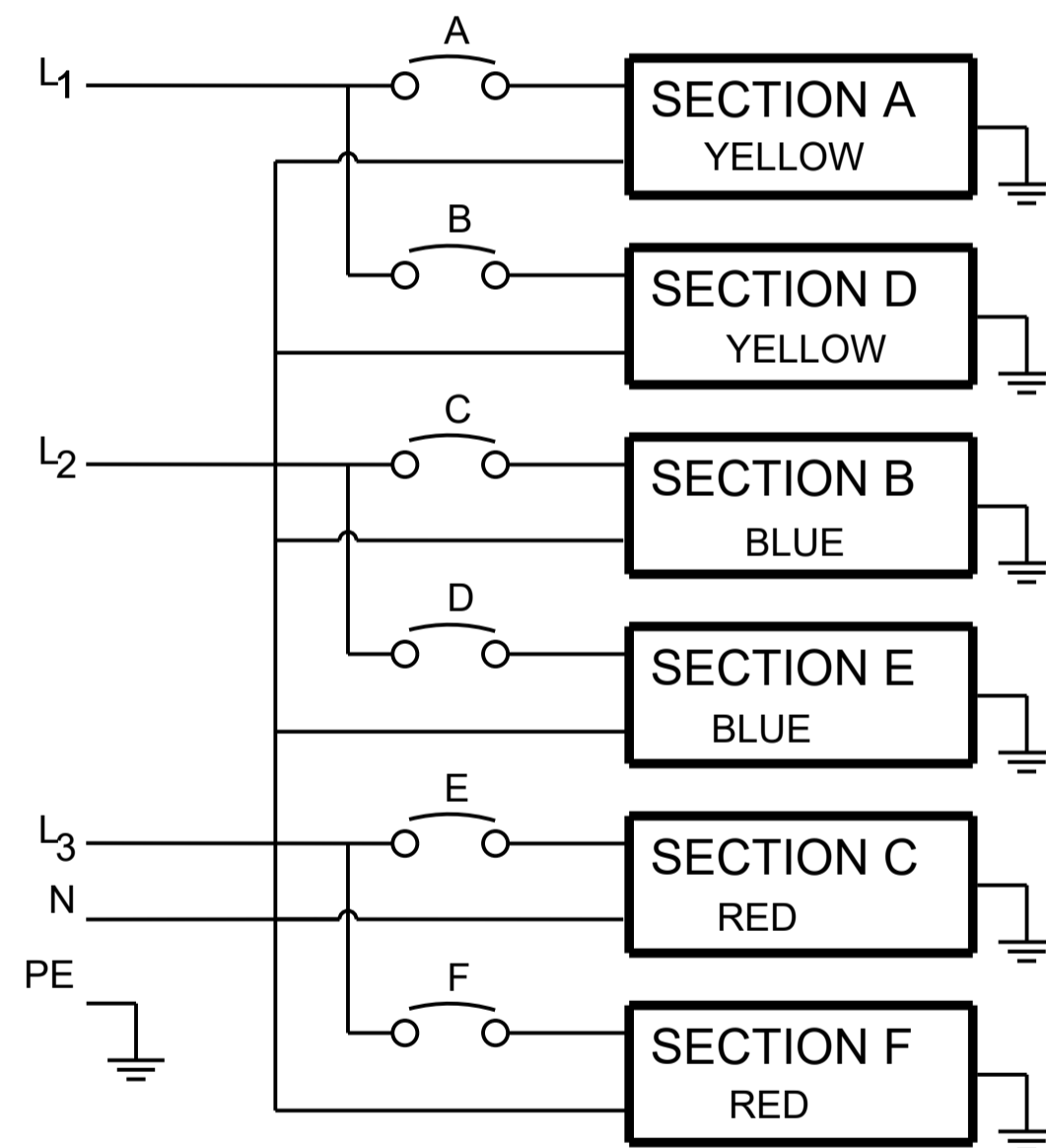


CABLE LENGTH SHOWN NOT TO SCALE

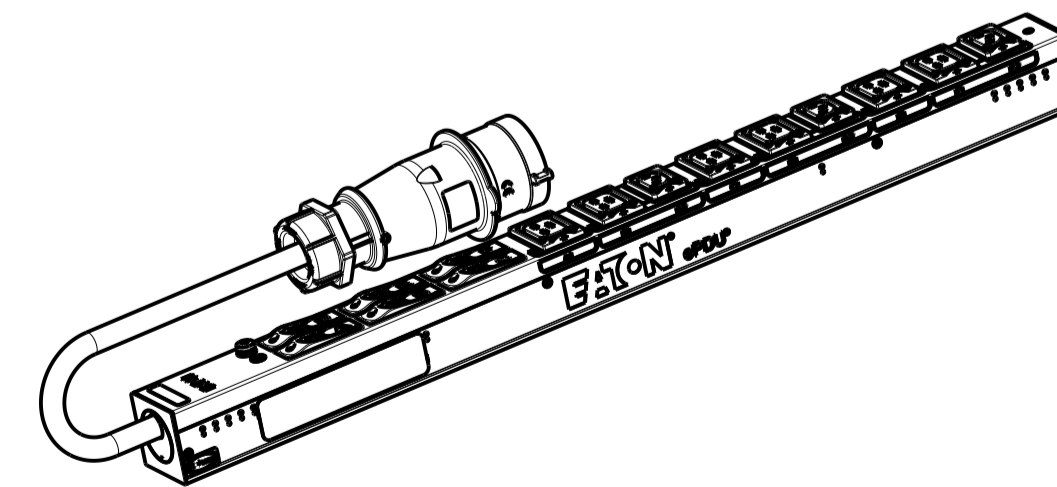


CIRCUIT SCHEMATIC



## EBAB01 G3 BASIC

FUNCTIONALITY	INPUT	OUTPUT	ENVIRONMENTAL
NONE	IEC 60309-2 32A 400V~ WYE, 3W+N+PE 4.0MM HO7 POWER CORD CABLE LENGTH: 3.0M	(3) IEC 60320 C13 GRIP (6) IEC 60320 C19 GRIP ALTERNATING SECTIONS	0 TO 60 °C
MECHANICAL	INPUT RATING	OUTPUT RATING	CERTIFICATIONS
LENGTH: 704MM WIDTH: 52 MM DEPTH: 53MM ALUMINIUM CHASSIS, BLACK MNT PATTERN SK-23919-Y1	3Ø;346-415V~; WYE, 3W+N+PE 50/60Hz 32A	200-240V~;50/60Hz 10A PER C13;16A PER C19 16A MAX PER SECTION 32A MAX TOTAL	CE, CB
CIRCUIT BREAKERS	FILTER AND SPIKE/SURGE	ACCESSORIES	CONFIGURATION
(6) 16A 1-POLE	NONE	STANDARD KSP026 - EPDU G3 EMEA VERT INSTALL PACK KA35	EBA3DH8FBJQ72AM



PICTORIAL VIEW  
SCALE 0.200

03	CHANGE PACK FROM KSP015 TO KSP025	25.04.2019	AEK	M.B.
PRODUCT MODIFIED TO ALTERNATING SECTIONS.				
02	REVISED ACCESSORIES IN SPECIFICATION TABLE.	12.06.2015	G.McD.	M.B.
01	FIXED GRAPHICS.	14.05.2014	G.McD.	M.B.
00	INITIAL RELEASE.	11.03.2014.		M.B.
REV	MODIFICATION	DATE	DESIGNER	VERIF
		HEINEMANN PRODUCTS		VUE/VIEW 1ST ANGLE
		CH-1345 LE LIEU SWITZERLAND		ECHELLE / SCALE 4/10
TOLERANCE GENERALE / GENERAL TOLERANCE			PAR / BY	11.03.2014
TRAITEMENT / FINISH			VERIFIE PAR / VERIFIED BY	M.B.
MATIERE / MATERIAL			DIMENSIONS AND TOLERANCES IN MILLIMETERS	
NIVEAU DU CERTIFICAT DE SOUMISSION REQUIS / SAMPLES APPROVAL PROCESS REPORT			X	
DESIGNATION		EPDU BA 0U (3Ø9 32A 3P)3XC13.6XC19	SK-30619-Y1	03
COTES A CONTROLER INSPECTION DIMENSIONS		XX.XX	COTES FONCTIONNELLES FUNCTIONAL DIMENSIONS	# XX.XX
Ce document est propriété de Eaton Industries Manufacturing GmbH. Duplication interdite sans autorisation. This document is Eaton Industries Manufacturing GmbH property. Duplication forbidden without authorization.				NUMERO DU PLAN PLAN NUMBER